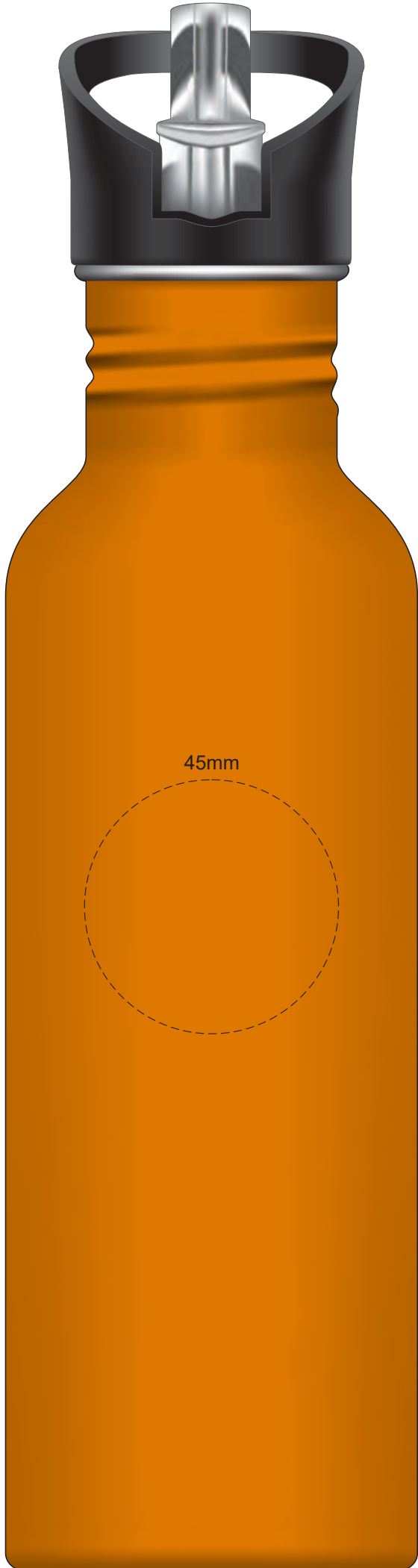
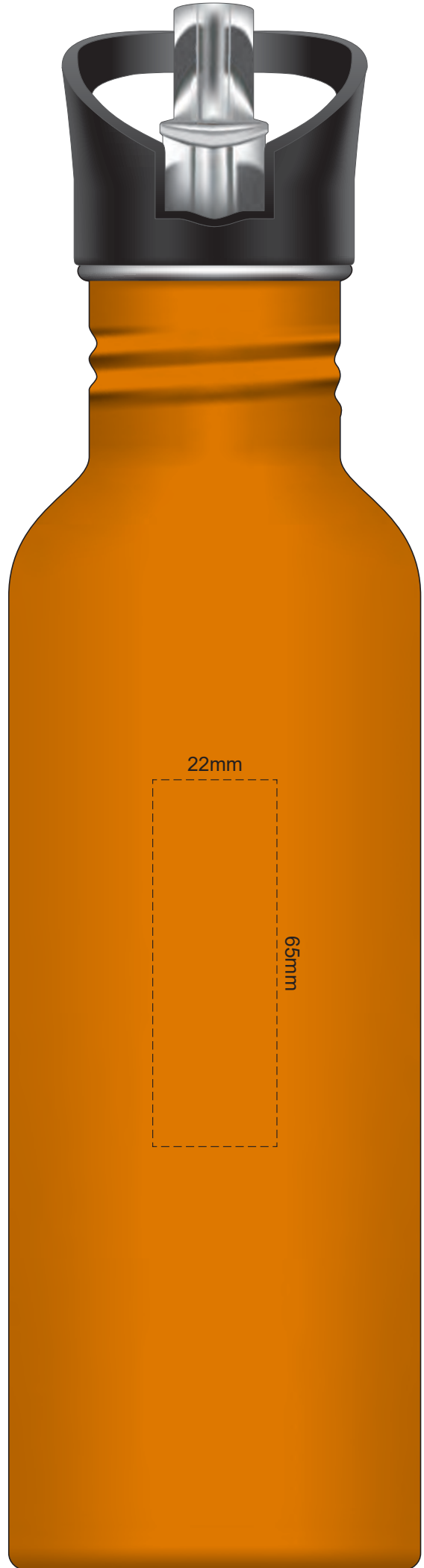


100% of Actual Size
Pad Print



100% of Actual Size
Pad Print





70% of Actual Size
Screen Print

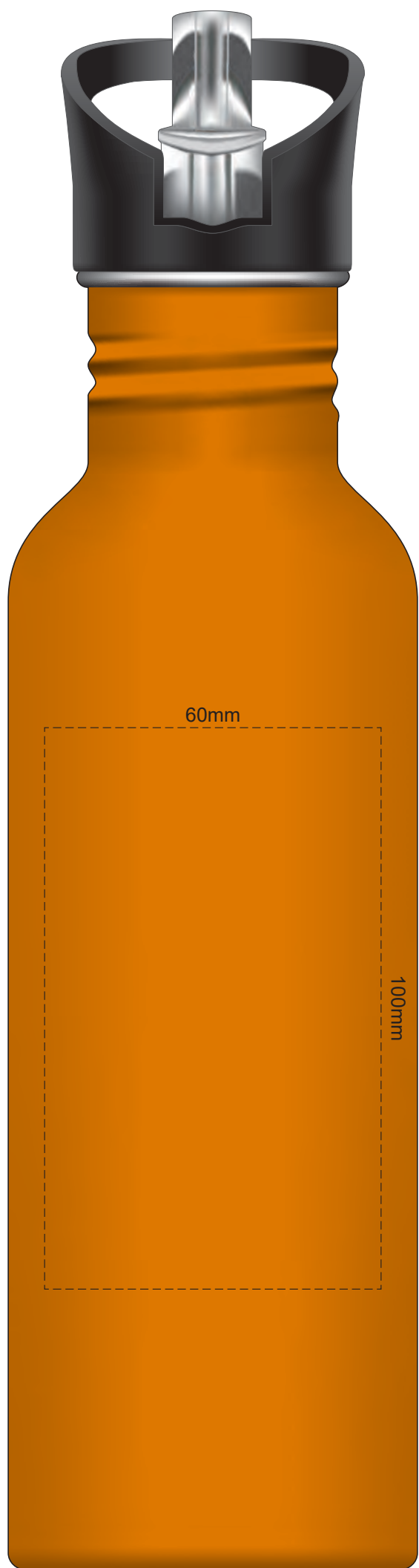
180mm

Approximately 20mm unprintable area

Approximately 20mm unprintable area
120mm

Red Line = Exact opposites of the product
(centre artwork to the red line)

Engraving



60mm

100mm

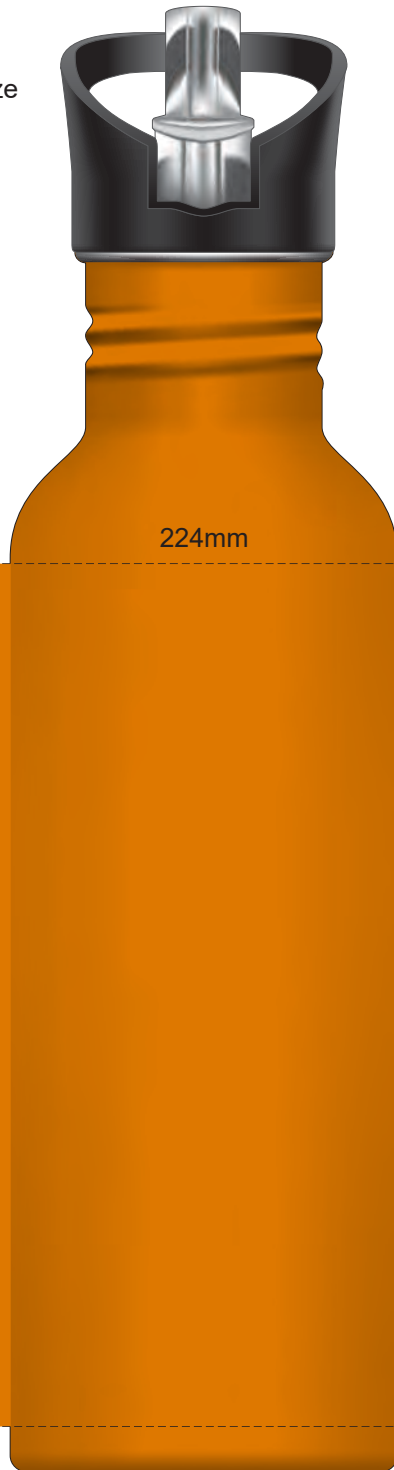


Stainless Engraves to a Natural Etch



Colours Engraves to a

70% of Actual Size
Rotary Digital
(Gloss Finish)



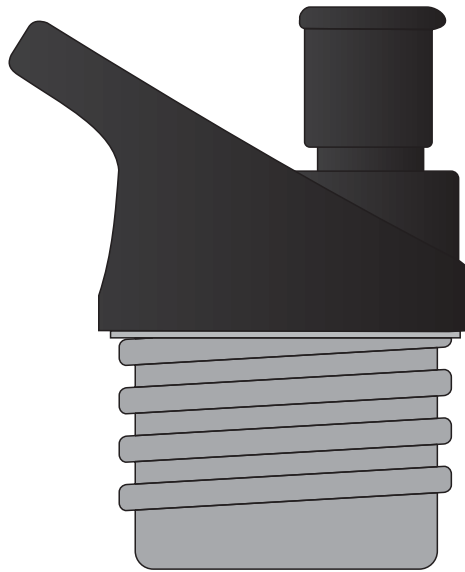
224mm

Approximately 1mm unprintable area

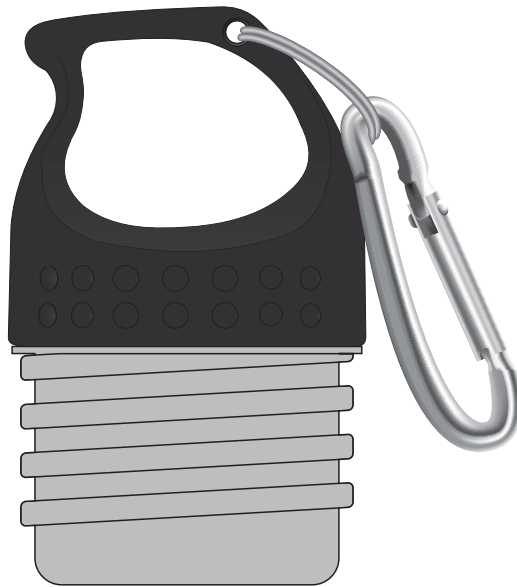
Approximately 1mm unprintable area
163mm

Red Line = Exact opposites of the product
(centre artwork to the red line)

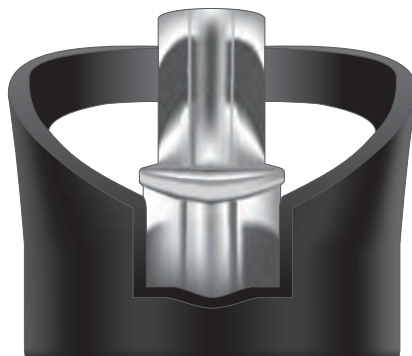
SIPPER LID



CARABINER LID

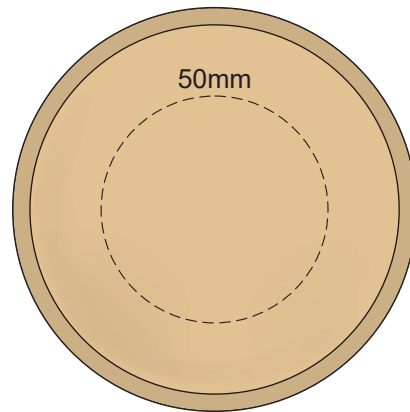
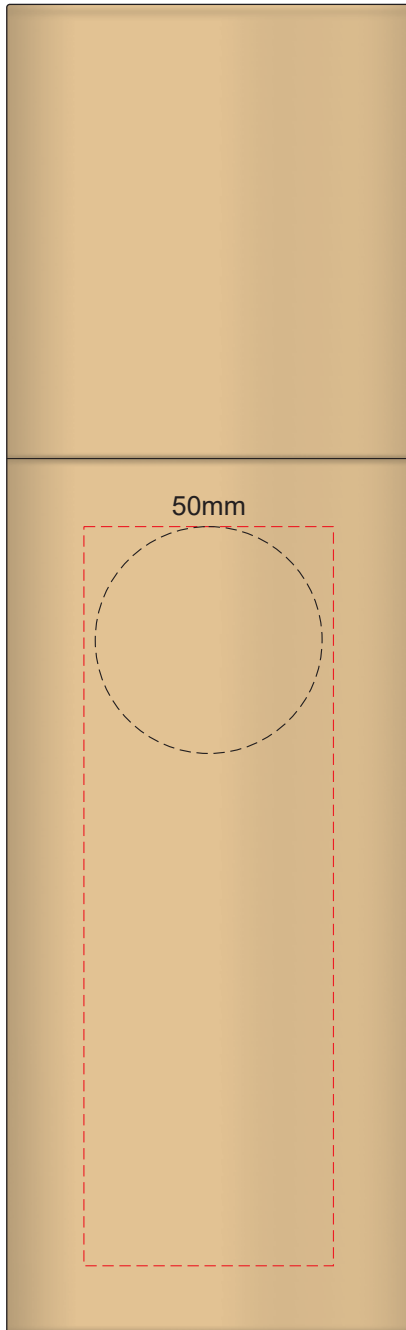


FLIP VALVE LID





60% of Actual Size
Pad Print (one colour)



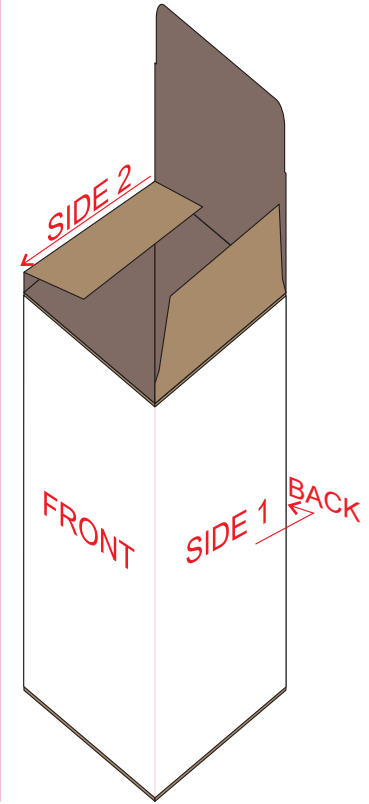
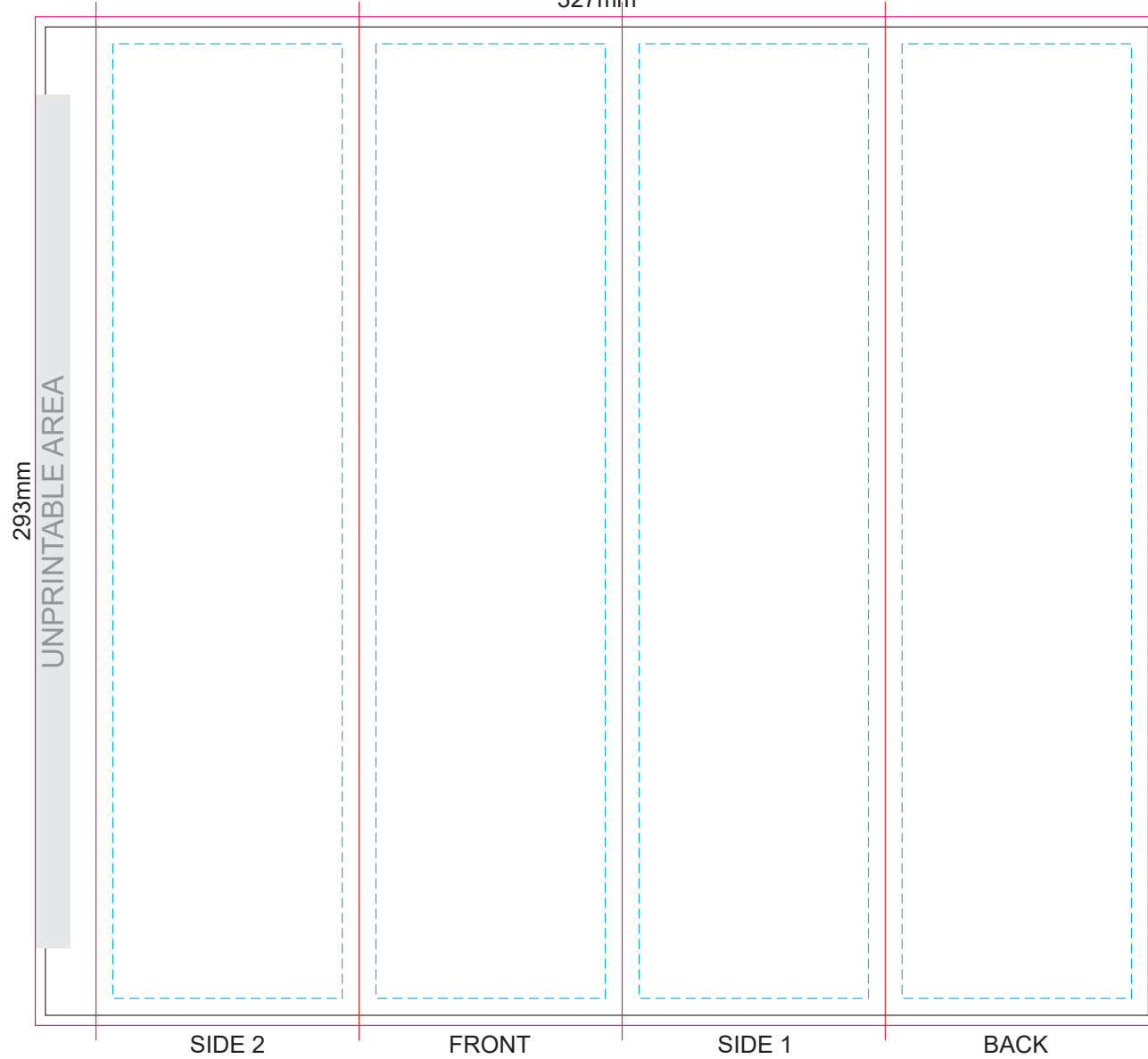
Branding area can be moved anywhere within the red line.

GIFT BOX SLEEVE

50% of Actual Size

Digital Print

327mm



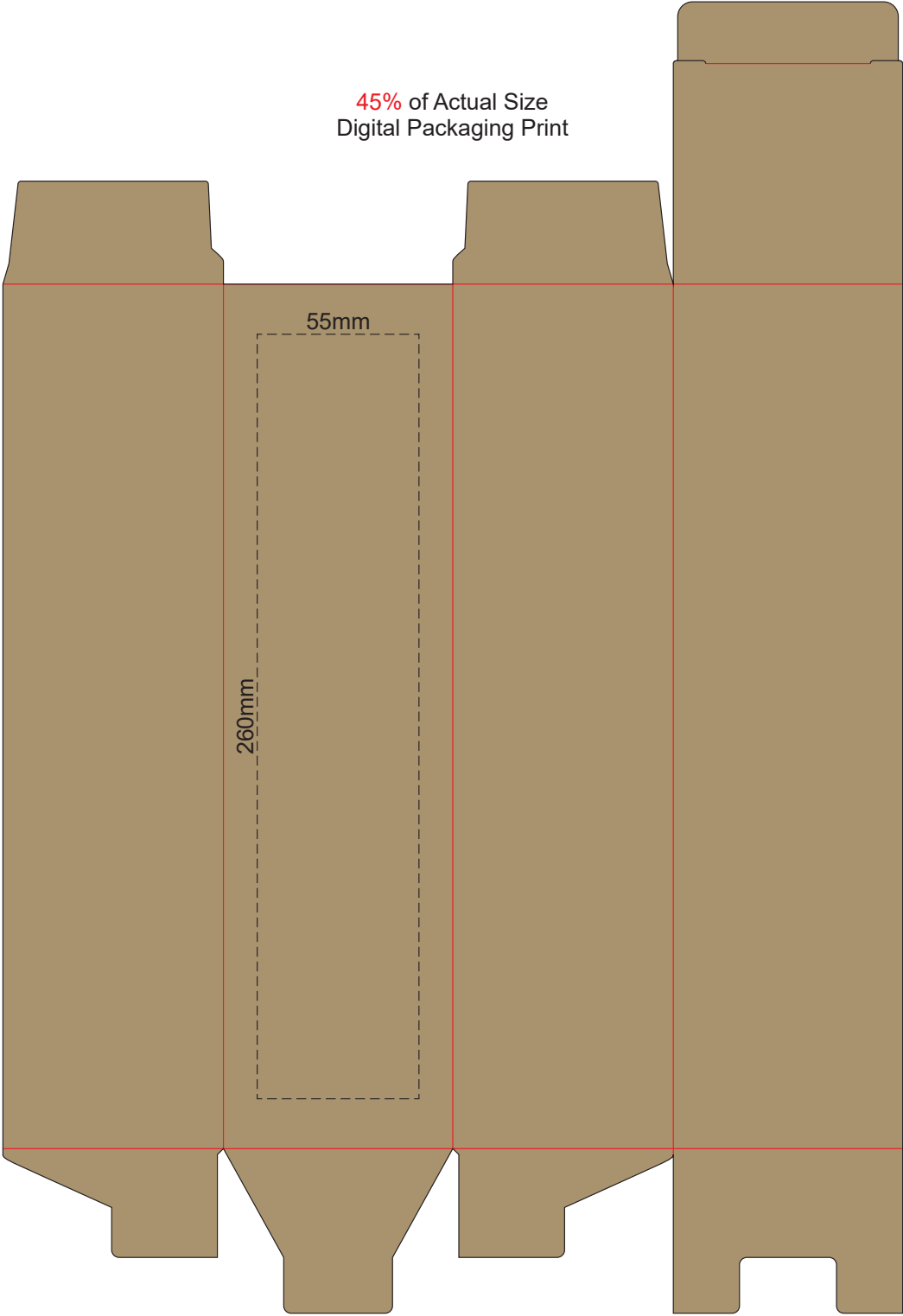
Blue Line = The SIGNIFICANT PRINT AREA
(Keep all critical images & text within this box)

Black Line = Maximum print area

Pink Line = Bleed off to here

Red Line = Fold Line

45% of Actual Size
Digital Packaging Print



Artwork will be printed directly onto the product via CMYK printing (no white), colours will not be vibrant due to white ink not being available for this process.