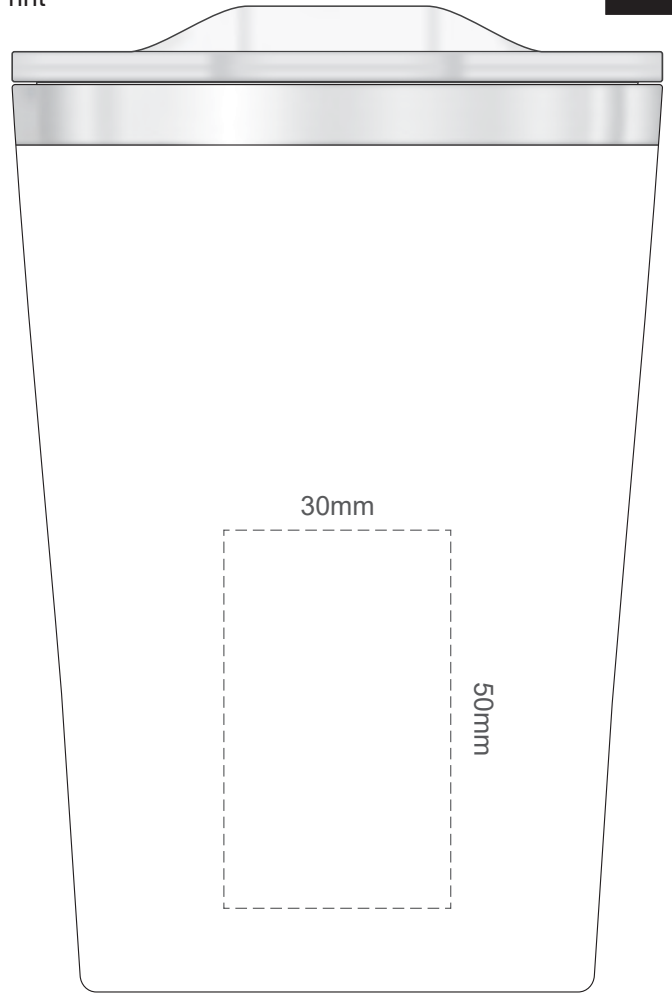
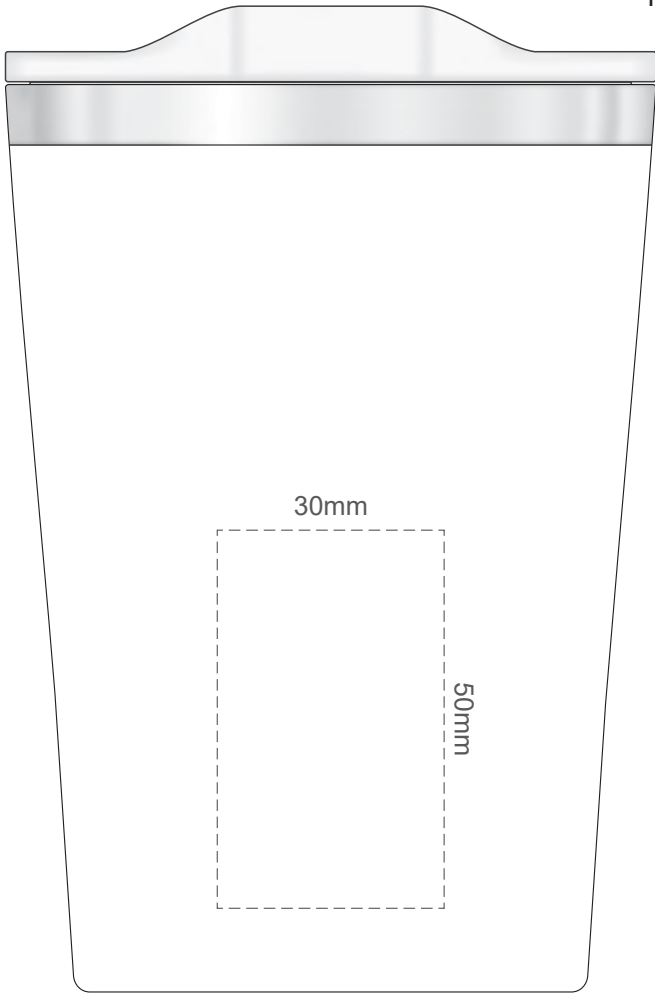




SIDE 1

100% of Actual Size
Pad Print

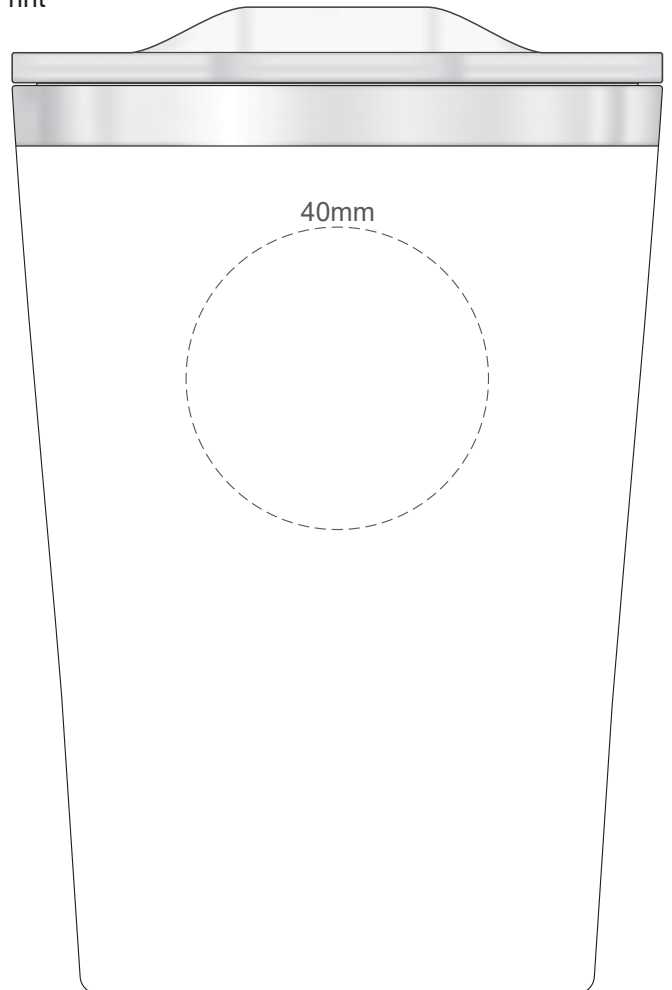
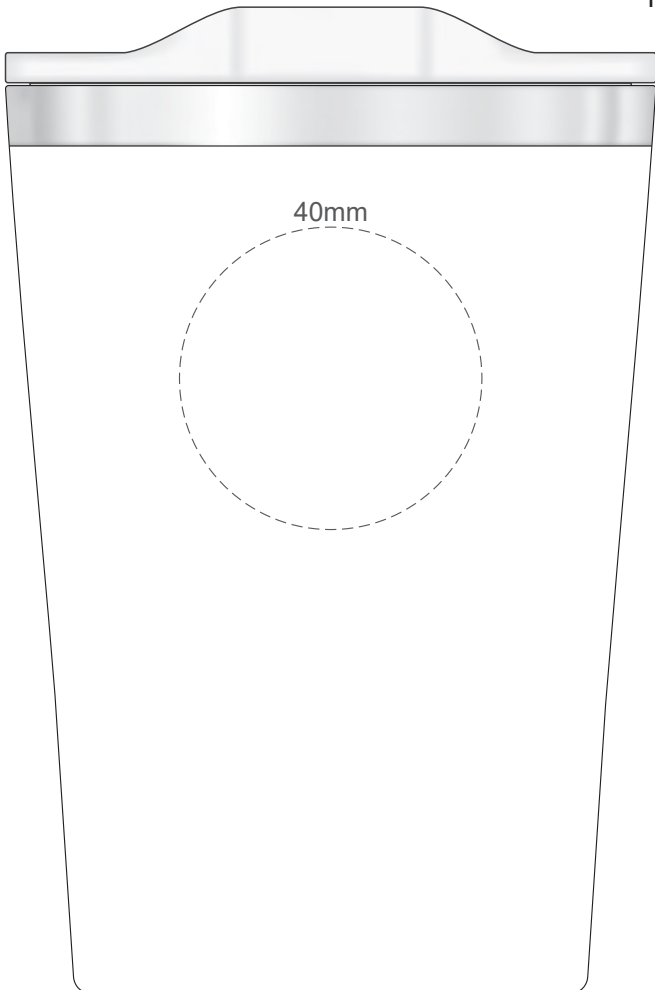
SIDE 2

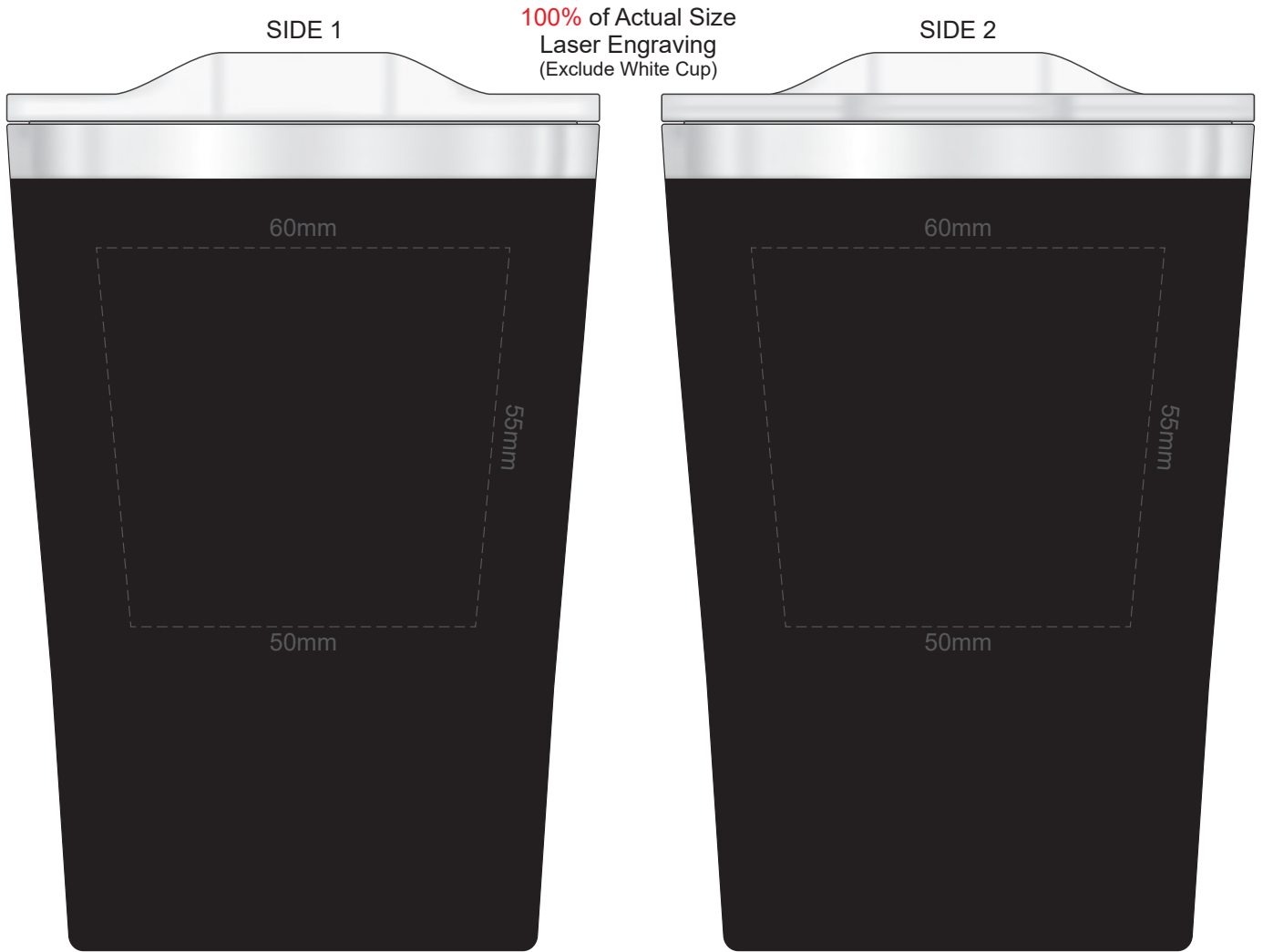


SIDE 1


100% of Actual Size
Pad Print

SIDE 2



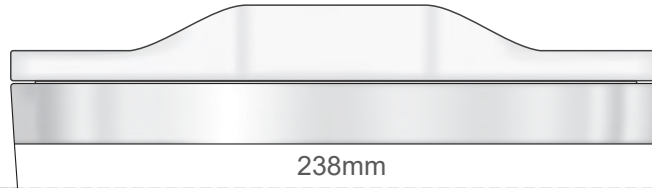


Please be aware that artwork will adhere to the shape of the product. Therefore, linear shapes that utilise the full print area may appear skewed from the side perspective due to the tapered nature of the product.

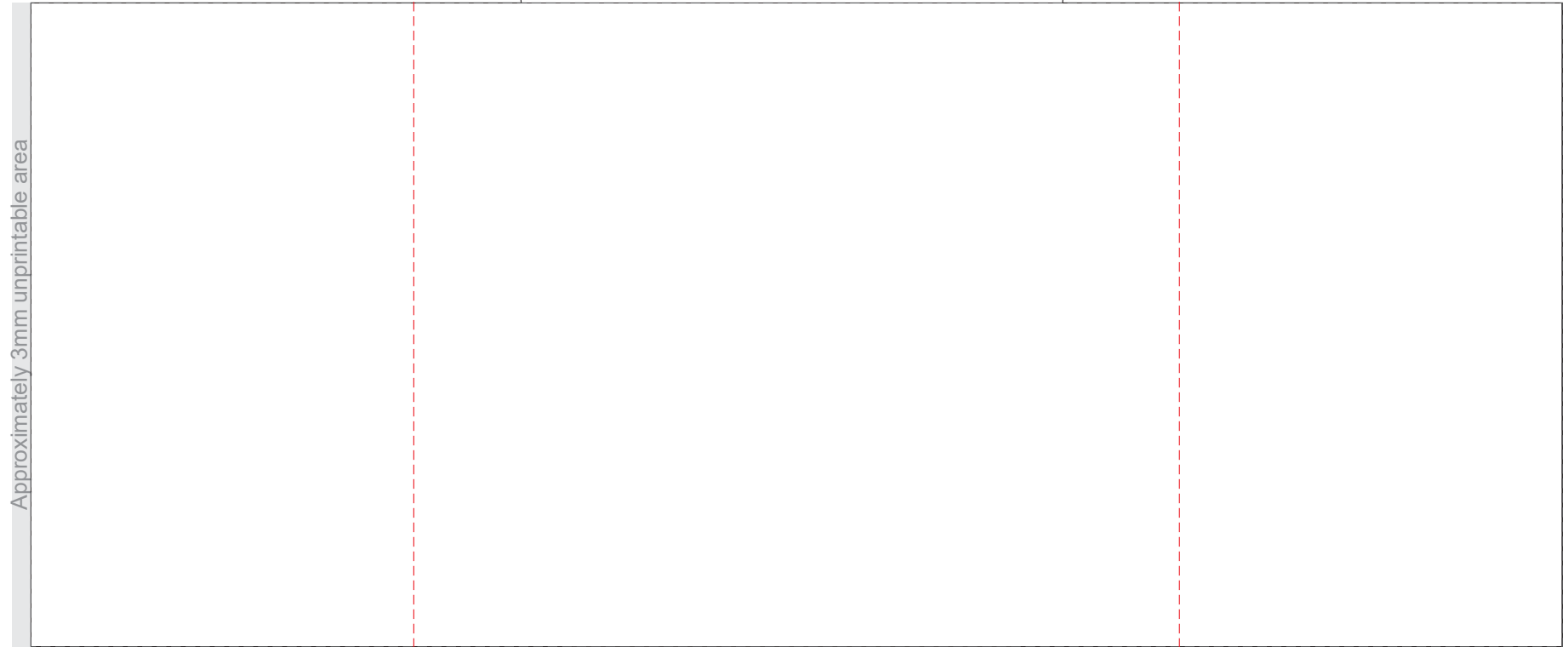
 Engraves to a Shiny Steel Finish



100% of Actual Size
Digital Rotary
(Gloss Finish)



238mm

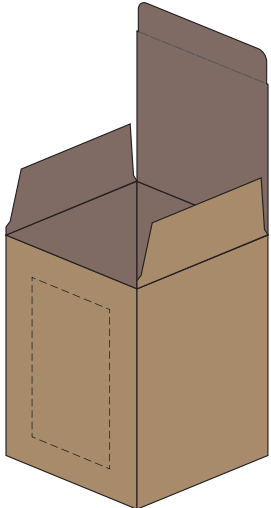
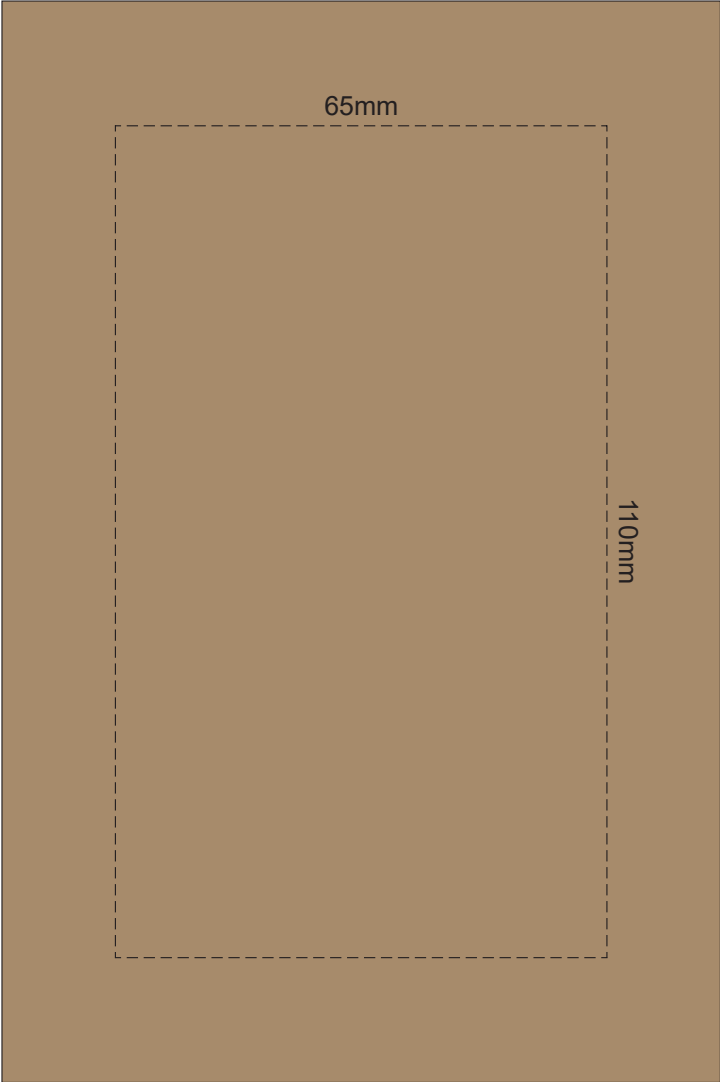


Approximately 3mm unprintable area

100mm

Red Line = Exact opposites of the product
(centre artwork to the red line)

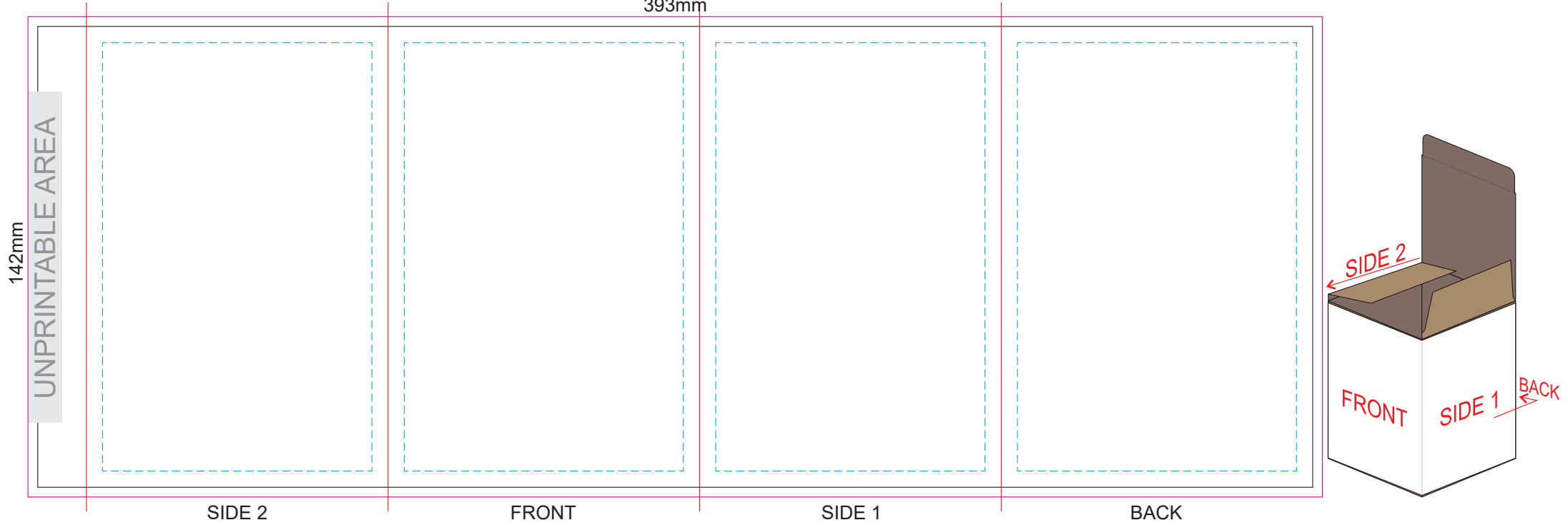
100% of Actual Size
Digital Packaging Print
FRONT



Artwork will be printed directly onto the product via CMYK printing (no white), colours will not be vibrant due to white ink not being available for this process.

GIFT BOX SLEEVE

60% of Actual Size
Digital Print
393mm



Blue Line = The SIGNIFICANT PRINT AREA
(Keep all critical images & text within this box)

Black Line = Maximum print area

Pink Line = Bleed off to here

Red Line = Fold Line