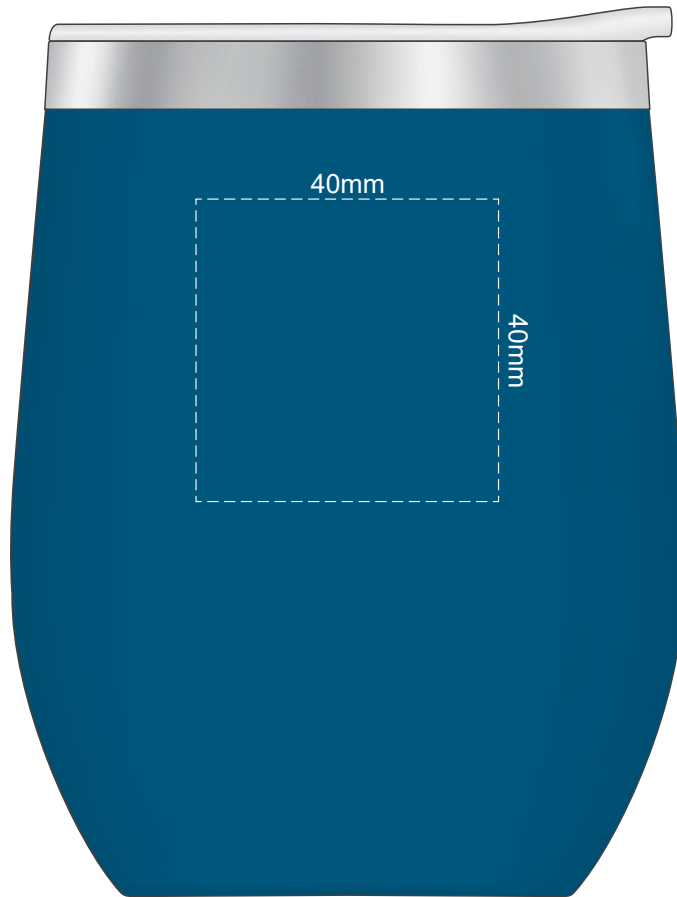
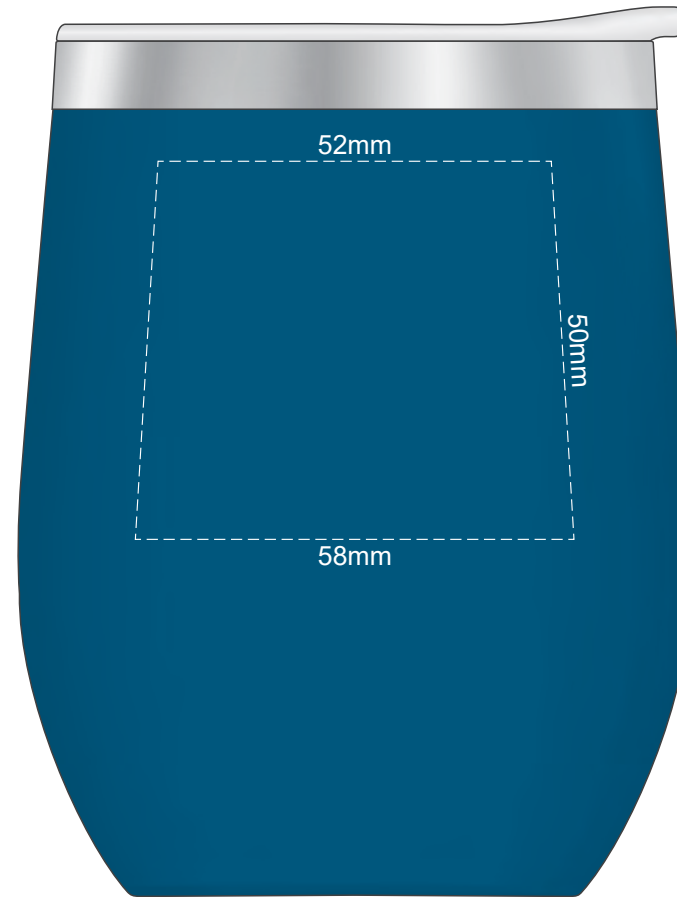


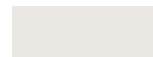
100% of Actual Size  
Pad Print



100% of Actual Size  
Laser Engraving



Please be aware that artwork will adhere to the shape of the product. Therefore, linear shapes that utilise the full print area may appear skewed from the side perspective due to the tapered nature of the product.



Engraves to a Shiny Steel Finish


100% of Actual Size  
Pad Print



100% of Actual Size  
Laser Engraving



Please be aware that artwork will adhere to the shape of the product. Therefore, linear shapes that utilise the full print area may appear skewed from the side perspective due to the tapered nature of the product.

 Engraves to a Natural Etch



100% of Actual Size  
Screen Print (one colour)

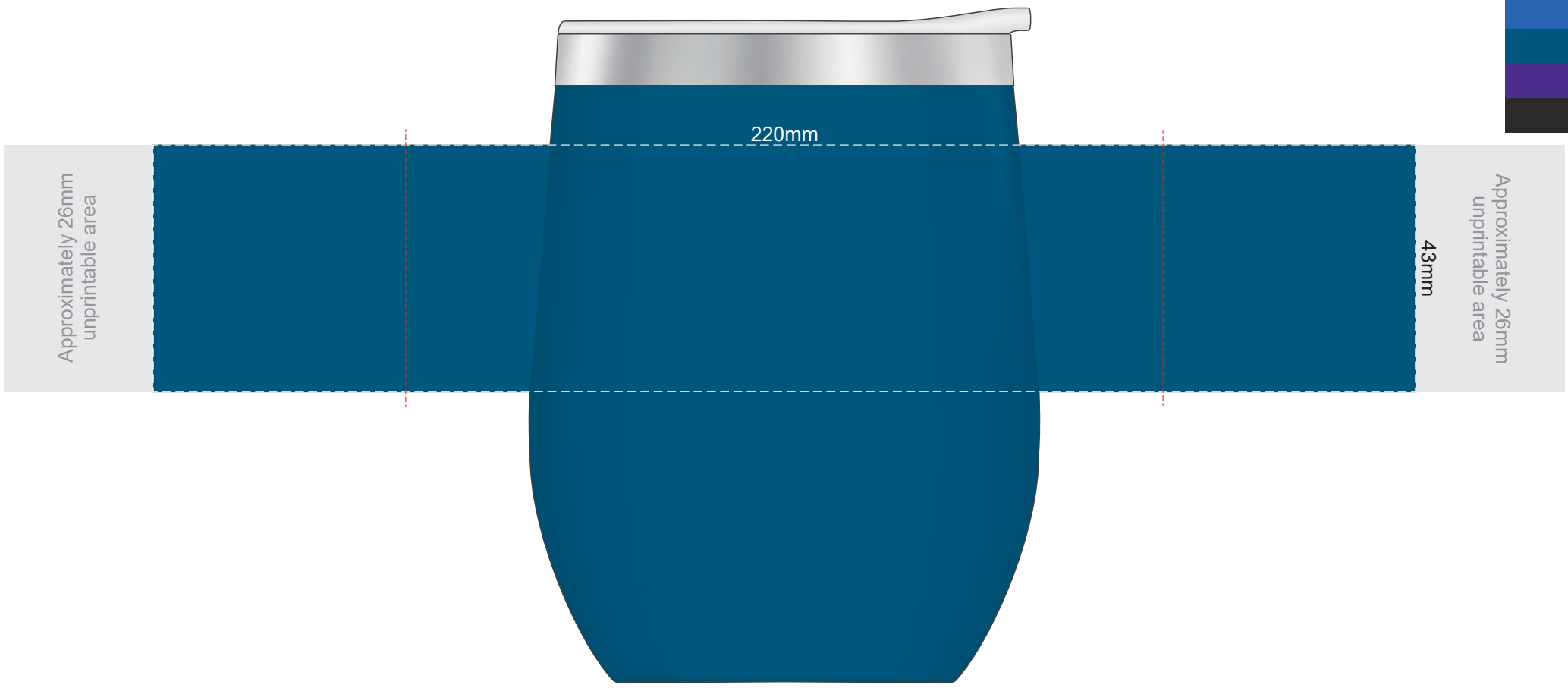
220mm

43mm

Approximately 26mm  
unprintable area

Approximately 26mm  
unprintable area

Red Line = Exact opposites of the product  
(centre artwork to the red line)



100% of Actual Size  
Screen Print (one colour)

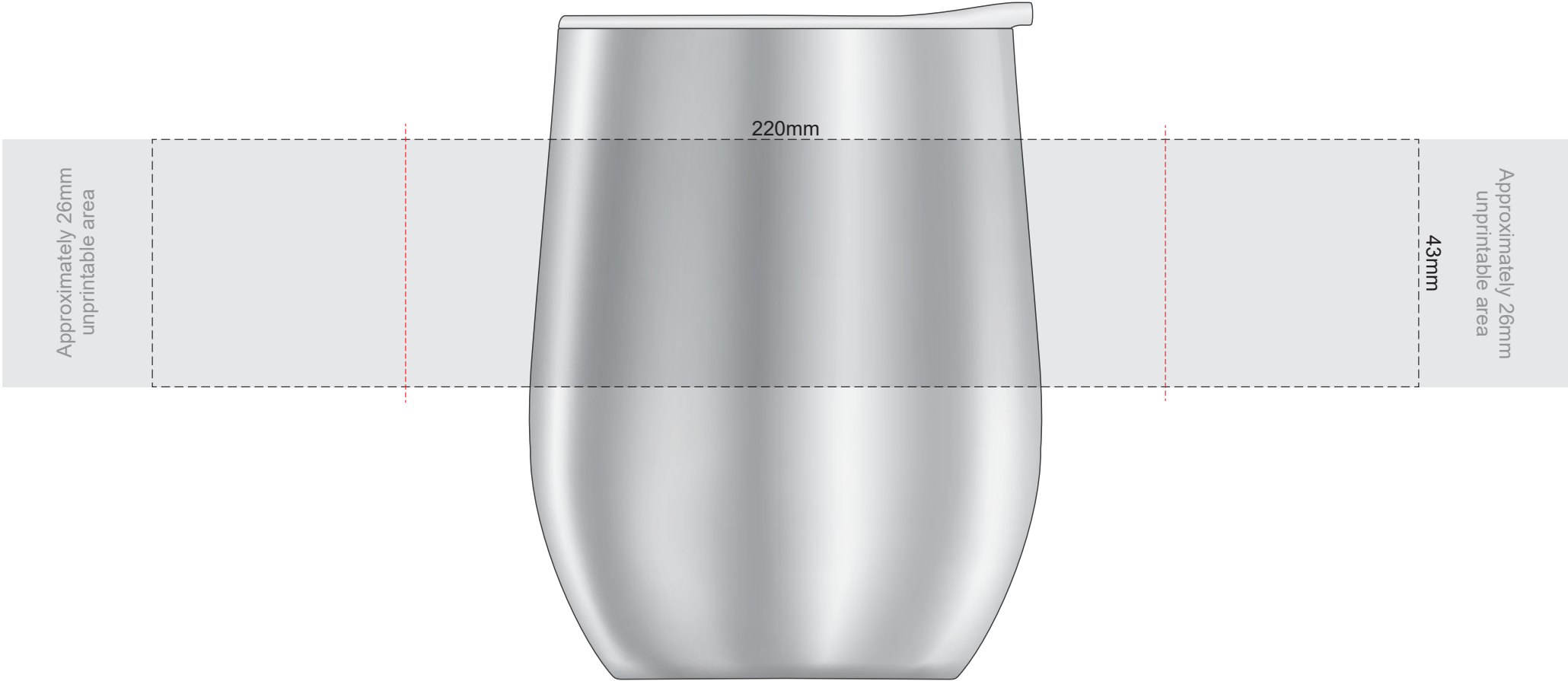
220mm

43mm

Approximately 26mm  
unprintable area

Approximately 26mm  
unprintable area

Red Line = Exact opposites of the product  
(centre artwork to the red line)





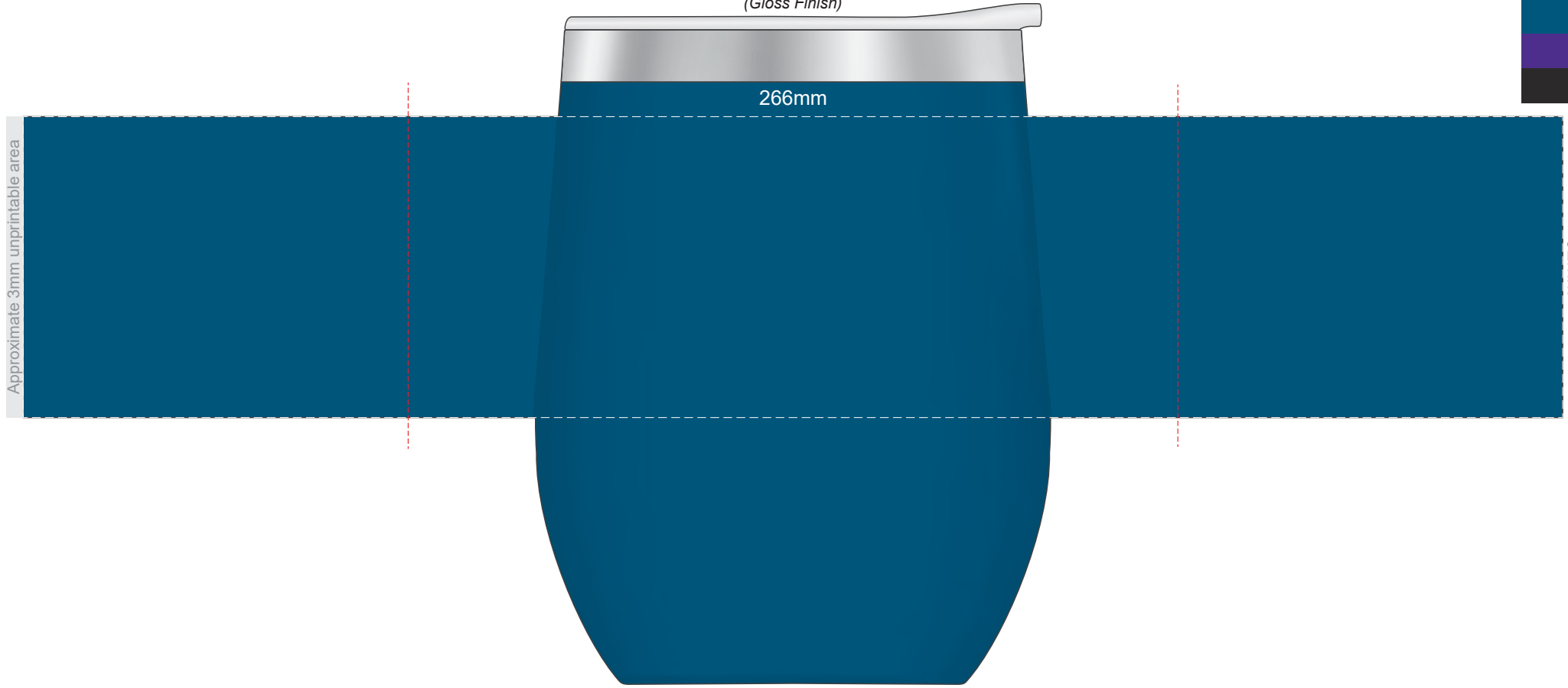
100% of Actual Size  
Digital Rotary  
(Gloss Finish)

266mm

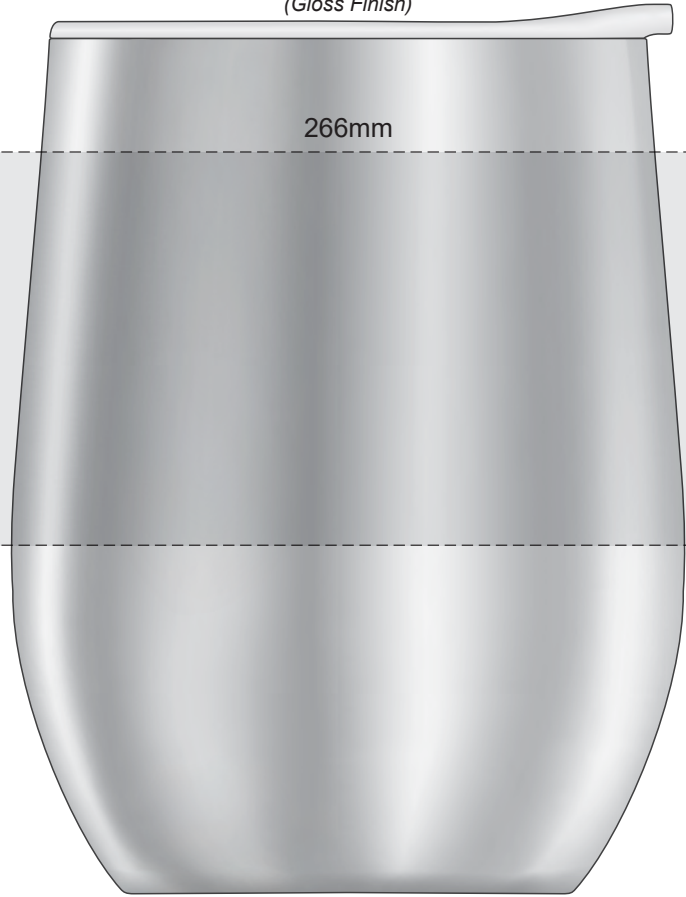
Approximate 3mm unprintable area

52mm

Red Line = Exact opposites of the product  
(centre artwork to the red line)



100% of Actual Size  
Digital Rotary  
(Gloss Finish)



266mm

Approximate 3mm unprintable area

52mm

Red Line = Exact opposites of the product  
(centre artwork to the red line)